

## Hinges

consisting of three parts, Steel / Stainless Steel

### SPECIFICATION

#### Type

Type **C**: Fixing from the back side

#### Version in Steel

Hinge  
Steel zinc plated, blue passivated **ST**

Pin  
Brass, nickel plated

Washer  
Brass, nickel plated

Hexagon nut ISO 4032  
Steel zinc plated, blue passivated

Serrated washer DIN 6797 for securing screws  
Steel zinc plated, blue passivated

#### Version in Stainless Steel

Hinge body, pin, washer

- Stainless Steel AISI 303 **NI**  
- Stainless Steel AISI 316L **A4**

Hexagon nut ISO 4032  
Stainless Steel AISI 304

Serrated washer DIN 6797 for securing screws  
Stainless Steel AISI 304

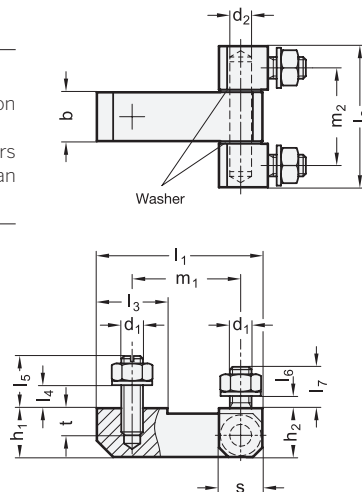
### INFORMATION

Hinges GN 129.2 are used for doors which are flush with the frame on the outside. Once assembled, they cannot be unhinged.

With the fixing from the inside, they are especially suitable for doors and trap doors which must not be detachable from the outside as an anti-tamper device.

### TECHNICAL INFORMATION

- Stainless Steel characteristics (see page A26)  
- List of hinges types (see page 1362)



#### GN 129.2

Description	l1	l2	b	d1	d2	h1	h2	l3	l4 max.	l5	l6 max.	l7	m1	m2	s	t	
GN 129.2-45-40-C-ST	45	40	13	M 6	6	13	13.5	18	6	11	5	10	30	28.2	12	9	97
GN 129.2-50-51-C-ST	50	51	18	M 8	8	18	18	26	8	14	8	14	29	35	16	11	213
GN 129.2-53-40-C-ST	53	40	13	M 6	6	13	13.5	26	6	11	5	10	38	28.2	12	9	108
GN 129.2-61-51-C-ST	61	51	18	M 8	8	18	18	26	8	14	8	14	40	35	16	11	240

#### GN 129.2-A4

**STAINLESS STEEL**

Description	l1	l2	b	d1	d2	h1	h2	l3	l4 max.	l5	l6 max.	l7	m1	m2	s	t	
GN 129.2-45-40-C-A4	45	40	13	M 6	6	13	13.5	18	6	11	5	10	30	28.2	12	9	100
GN 129.2-50-51-C-A4	50	51	18	M 8	8	18	18	26	8	14	8	14	29	35	16	11	214

#### GN 129.2-NI

**STAINLESS STEEL**

Description	l1	l2	b	d1	d2	h1	h2	l3	l4 max.	l5	l6 max.	l7	m1	m2	s	t	
GN 129.2-45-40-C-NI	45	40	13	M 6	6	13	13.5	18	6	11	5	10	30	28.2	12	9	97
GN 129.2-50-51-C-NI	50	51	18	M 8	8	18	18	26	8	14	8	14	29	35	16	11	213

